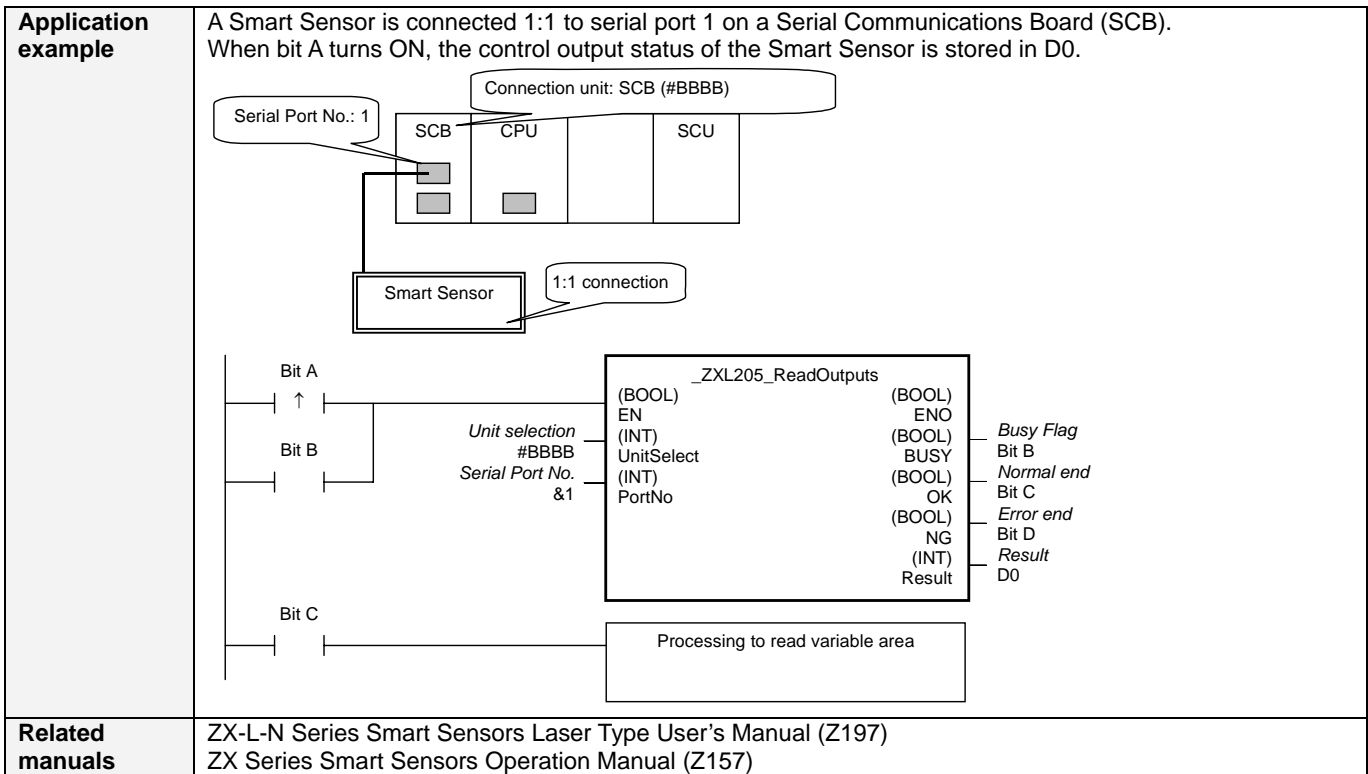


ZXL -205	Read Control Output: _ZXL205_ReadOutputs	
Basic function	Reads the high, pass, and low control outputs.	
Symbol		
File name	Lib\FBL\omronlib\LaserSensor\ZXL_ZXL205_ReadOutputs10.cxf	
Applicable models	Laser Sensor	ZX-LDA-N CPU Unit CS1*-CPU**H Unit version 3.0 or higher CJ1*-CPU**H Unit version 3.0 or higher CJ1M-CPU** Unit version 3.0 or higher CP1H CP1L (except 10 points CPU) Serial Communications Units/Boards CS1W-SCU21-V1, CJ1W-SCU21-V1, CJ1W-SCU41-V1 Unit Version 1.2 or higher CS1W-SCB21-V1 and CS1W-SCB41-V1 Unit Version 1.2 or higher CX-Programmer Version 5.0 or higher
Conditions for usage	External Connections <ul style="list-style-type: none"> Can be used only for 1:1 connections. (FB "_ZXLN****" can be used for 1:N connections) Communications must be within one network and cannot cross to another network. Communications Settings <p>The communications settings of the serial port must be the same as those of the Laser Sensor.</p> <ul style="list-style-type: none"> The communications settings of the specified serial port can be set to the default Laser Sensor settings using the Set Communications Port (_ZXL600_SetComm) function block, and the other Laser Sensor settings using the Set Serial Gateway Mode (_SCx604_SetPortGATEWAY) function block. CPU Unit Settings <p>PLC Setup: Shared Settings for Communications Instructions in FBs</p> <ul style="list-style-type: none"> Communications Instruction Response Timeout Time (default: 2 s) 5 s recommended Number of retries (default: 0) Shared Resources <ul style="list-style-type: none"> Communications ports (internal logical ports) 	
Function description	When the Start Trigger turns ON, the high, pass, and low control outputs are read for the Smart Sensor connected to the Serial Port specified by the <i>Connection unit</i> and <i>Serial port No.</i> The status of the high, pass, and low control outputs can be checked using the <i>Result</i> .	
FB precautions	<ul style="list-style-type: none"> This FB is processed over multiple cycles. The BUSY output variable can be used to check whether the FB is being processed. OK or NG will be turned ON only for one cycle after processing is completed. Use these flags to detect the end of the FB processing. Time Chart <ul style="list-style-type: none"> When this FB is started, the output parameters are cleared. See the output parameters when the OK flag turns ON. 	
EN input condition	Connect EN to an OR between an upwardly differentiated condition for the start trigger and the BUSY output from the FB.	
Restrictions Input variables	<ul style="list-style-type: none"> Always use an upwardly differentiated condition for EN. If the input variables are out of range, the ENO Flag will turn OFF and the FB will not be processed. 	
Output variables	<ul style="list-style-type: none"> This FB requires multiple cycles to process. Always connect an OR including the BUSY output variable to the EN input variable to ensure that the FB is processed to completion (see <i>Symbol</i>). Do not turn the BUSY output variable ON or OFF outside the FB. 	
Other	<ul style="list-style-type: none"> Up to 3 seconds may be required for this FB to be completed (i.e., from EN turning ON until the OK or NG Flag turns ON). 	



■ Variable Tables

Input Variables

Name	Variable name	Data type	Default	Range	Description
EN	EN	BOOL			1 (ON): FB started. 0 (OFF): FB not started.
Unit selection	UnitSelect	INT	&0	At right.	Specify the Unit and the serial port. Only serial port 2 of CP1H/CP1L CPU unit is possible to use this FB. ■ Connected to CPU Unit Unit selection #FFFF Serial port No. Not accessed. (CP1H/CP1L-M: Serial Port2 CP1L-L14/20: Serial Port1) ■ Connected to Serial Communication Board(SCB) Unit selection #BBBB Serial port No. &1: Serial Port 1 &2: Serial Port 2 ■ Connected to Serial Communication Unit(SCU) Unit selection SCU Unit No. (&0 to &15) Serial port No. &1: Serial Port 1 &2: Serial Port 2
Serial Port No.	PortNo	INT	&1	&1 to &2	

Output Variables

Name	Variable name	Data type	Range	Description
ENO (May be omitted.)	ENO	BOOL		1 (ON): FB processed normally. 0 (OFF): FB not processed or ended in an error.
Busy Flag	BUSY	BOOL		Automatically turns OFF when processing is completed.
Normal end	OK	BOOL		Turns ON for one cycle when processing ends normally.
Error end	NG	BOOL		Turns ON for one cycle when processing ends in an error.
Result	Result	INT		&0: All OFF &1: Low output ON &2: High output ON &3: Pass output ON

Internal Variables

Internal variables are not output from the FB.

If the NG Flag from the FB turns ON, the following internal variables can be monitored to obtain information on the error.

Name	Variable name	Data type	Range	Description
Error code	ErrorCode	WORD		The results information from the Smart Sensor is output to the Error Code. See below.

Error Code Details

Code	Contents	Meaning
#0000	Normal end	
#2203	Operation error	<ul style="list-style-type: none"> The value displayed on the main digital display is read when an error has occurred, e.g., an incident level error.
#2204	Operation error	<ul style="list-style-type: none"> The Sensor is not in RUN mode.

Version History

Version	Date	Contents
1.00	2004.6.	Original production

Note

This manual is a reference that explains the function block functions.

It does not explain the operational limitations of Units, components, or combinations of Units and components. Always read and understand the Operation Manuals for the system's Units and other components before using them.