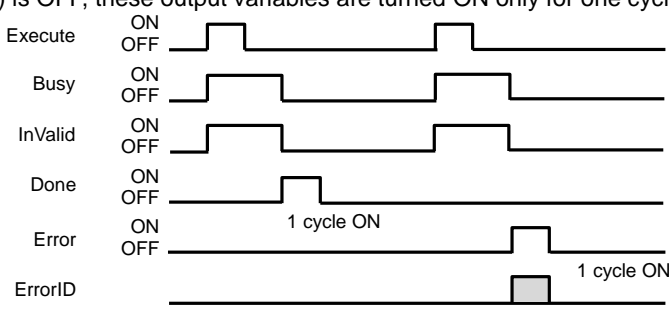
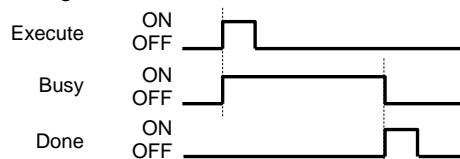
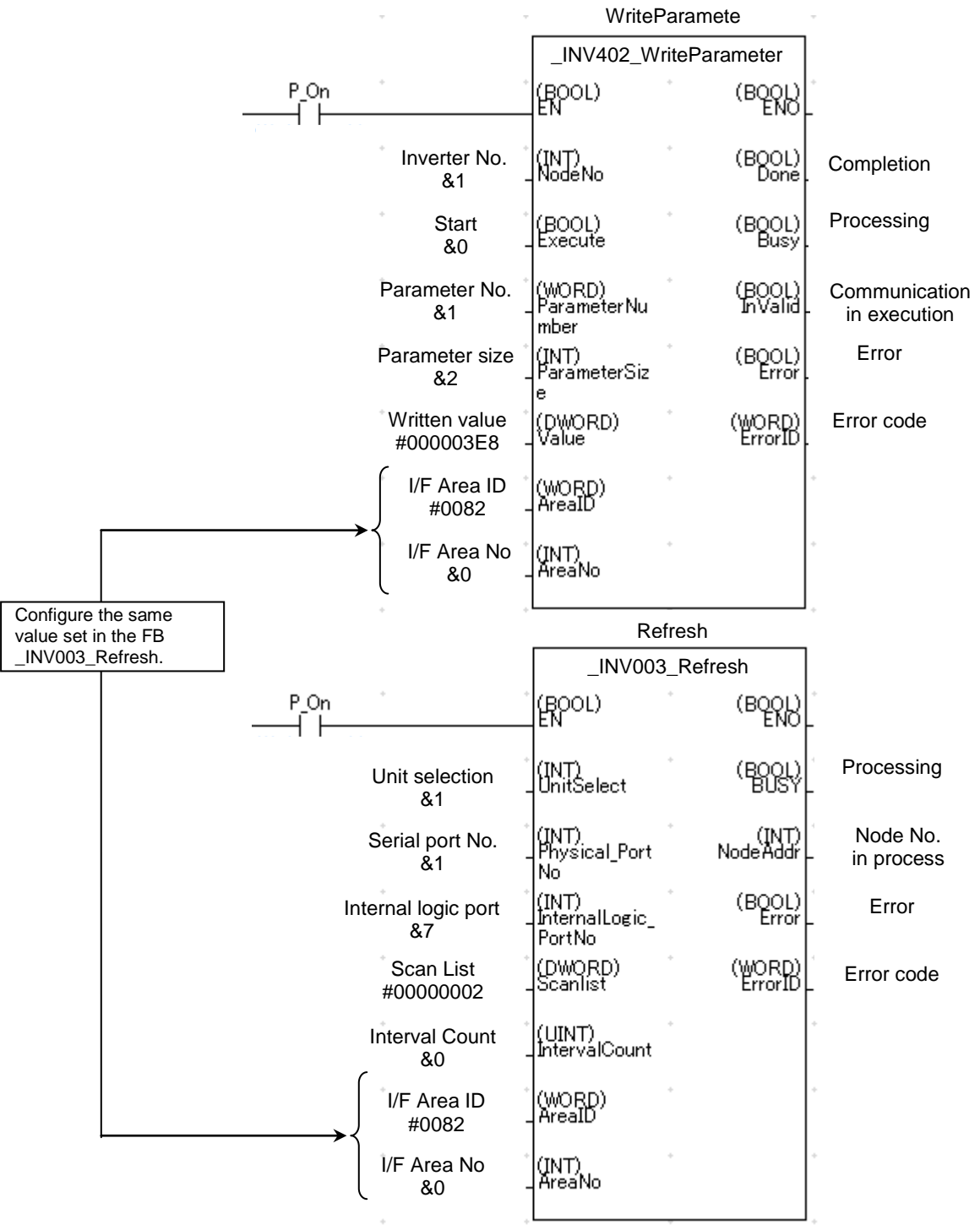
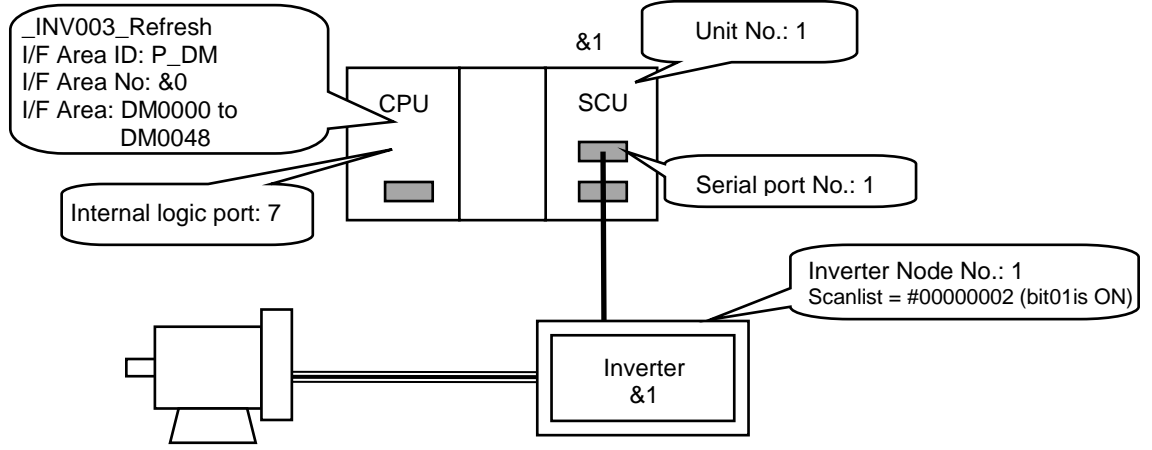


INV 402	Parameter Write: _INV402_WriteParameter
--------------------	--

Basic function	Writes the setting value of the specified parameter.												
Symbol													
File name	Lib\FBL\omronlib\ Inverter\INVRT(MX2_RX)\Serial_INV402_WriteParameter.cxf												
Applicable models	<table border="1" style="width: 100%; border-collapse: collapse;"> <tr> <td style="width: 20%;">Inverters</td> <td>3G3MX2-****-V1 3G3RX-****-V1</td> </tr> <tr> <td>CPU Unit</td> <td>CJ2H-CPU** Unit version 1.4 or later CJ2M-CPU** Unit version 2.0 or later CP1H Unit version 1.2 or later CP1L (except 10 points CPU) Unit version 1.0 or later</td> </tr> <tr> <td>Serial Communications Unit</td> <td>CJ1W-SCU41-V1 Unit version 1.3 or later CJ1W-SCU42 Unit version 2.0 or later CJ1W-SCU31-V1 Unit version 1.3 or later CJ1W-SCU32 Unit version 2.0 or later</td> </tr> <tr> <td>RS-422A/485 Option Board</td> <td>CP1W-CIF11 CP1W-CIF12</td> </tr> <tr> <td>CX-Programmer</td> <td>Version 9.0 or higher</td> </tr> <tr> <td>Combination FB</td> <td>_INV003_Refresh Version 1.0 or higher</td> </tr> </table>	Inverters	3G3MX2-****-V1 3G3RX-****-V1	CPU Unit	CJ2H-CPU** Unit version 1.4 or later CJ2M-CPU** Unit version 2.0 or later CP1H Unit version 1.2 or later CP1L (except 10 points CPU) Unit version 1.0 or later	Serial Communications Unit	CJ1W-SCU41-V1 Unit version 1.3 or later CJ1W-SCU42 Unit version 2.0 or later CJ1W-SCU31-V1 Unit version 1.3 or later CJ1W-SCU32 Unit version 2.0 or later	RS-422A/485 Option Board	CP1W-CIF11 CP1W-CIF12	CX-Programmer	Version 9.0 or higher	Combination FB	_INV003_Refresh Version 1.0 or higher
Inverters	3G3MX2-****-V1 3G3RX-****-V1												
CPU Unit	CJ2H-CPU** Unit version 1.4 or later CJ2M-CPU** Unit version 2.0 or later CP1H Unit version 1.2 or later CP1L (except 10 points CPU) Unit version 1.0 or later												
Serial Communications Unit	CJ1W-SCU41-V1 Unit version 1.3 or later CJ1W-SCU42 Unit version 2.0 or later CJ1W-SCU31-V1 Unit version 1.3 or later CJ1W-SCU32 Unit version 2.0 or later												
RS-422A/485 Option Board	CP1W-CIF11 CP1W-CIF12												
CX-Programmer	Version 9.0 or higher												
Combination FB	_INV003_Refresh Version 1.0 or higher												
Language	Ladder programming language												
Conditions for usage	<ul style="list-style-type: none"> ■ Precondition for Usage This FB communicates with the inverter via a serial port which is controlled by the FB _INV003_Refresh. Start up the FB _INV003_Refresh to use this FB. Configure the same value set in the FB _INV003_Refresh for I/F Area ID (AreaID) and I/F Area No (AreaNo) in this FB. ■ Shared Resources I/F Area used for the FB _INV003_Refresh ■ Settings For the settings of communications port and inverter, refer to the FB _INV003_Refresh. 												
Function description	<p>Writes the parameter of the inverter specified in Inverter No. (NodeNo).</p> <p>Specify a parameter to write with Parameter No. (ParameterNumber), Parameter size (ParameterSize) and Written value (Value). When Start (Execute) is turned ON, the parameter value is written.</p> <ul style="list-style-type: none"> ■ Output Variables Behavior Processing (Busy) is turned ON when the input variable, Start (Execute) is turned ON, and turned OFF when Completion (Done) or Error (Error) is turned ON. Error (Error) is turned ON when an error has occurred on this FB, and not turned ON due to errors in other FB or Instances. Completion (Done) and Error (Error) are turned OFF when the input variable, Start (Execute) is turned OFF. 												

	<p>■ Output Variables Security Behavior for One Cycle When the output variable, Completion (Done) or Error (Error) is turned ON, if the input variable, Start (Execute) is OFF, these output variables are turned ON only for one cycle.</p>  <p>The timing chart displays six signals over time. The 'Execute' signal has two pulses. When 'Execute' is OFF, the 'Done' signal pulses ON for one cycle. Similarly, when 'Execute' is OFF, the 'Error' signal pulses ON for one cycle, and the 'ErrorID' signal also pulses ON for one cycle. Labels '1 cycle ON' are placed under the respective pulses for Done, Error, and ErrorID.</p>
<p>FB definition</p>	<p>Several cycles execution type This FB takes several cycles to finish processing after starting up. It is impossible to use the same Instance in several areas at the same time because the status is held internally.</p>
<p>FB precautions</p>	<p>This FB takes several cycles to finish processing. It is possible to confirm whether the processing has been executed or not with the output variable, Processing (Busy).</p> <p>■ Timing Chart</p>  <p>The timing chart shows three signals: 'Execute', 'Busy', and 'Done'. 'Execute' is ON for a short duration. 'Busy' is ON for a longer duration, starting after 'Execute' goes ON. 'Done' is ON for a short duration at the end of the 'Busy' period.</p>
<p>EN input condition</p>	<ul style="list-style-type: none"> Connect the EN input to the Always ON flag (P_ON). If the EN is connected to a contact, this FB output is held by turning OFF the contact.
<p>Restrictions Others</p>	<ul style="list-style-type: none"> Do not change relays in I/F Area during this FB operation because this FB uses them. Use this FB in combination with FB _INV003_Refresh. For how to use, refer to usage examples.

Application example



Reference	It is possible to allocate and use some FB <code>_INV402_WriteParameter</code> in order to issue a command for some axes.
Related manuals	For the programming with variables, refer to CHAPTER 4 Reference in PART 1: CX-Programmer, CX-Programmer Operation Manual (Cat. No. W446).

■ Variable Table Input Variables

Name	Variable name	Data type	Default	Range	Description
EN	EN	BOOL	0 (OFF)	ON/OFF	1 (ON): Starts FB 0 (OFF): Does not start FB
Inverter No.	NodeNo	INT	&1	&1 to &31	Specifies the node No. of the inverter.
Start	Execute	BOOL	0 (OFF)	ON/OFF	Starts up the FB when this variable is turned ON.
Parameter No.	ParameterNumber	WORD	#0000	Refer to the right column	Specifies a holding register inside the inverter to write data. For details, refer to the inverter manuals "Multi-function Compact Inverter MX2 Series Type V1 User's Manual (I585) and High-function General-purpose Inverter 3G3RX Series Type V1 User's Manual (I578)".
Parameter size	ParameterSize	INT	&1	&1, &2	Specifies the word size to write. For details, refer to the inverter manuals "Multi-function Compact Inverter MX2 Series Type V1 User's Manual (I585) and High-function General-purpose Inverter 3G3RX Series Type V1 User's Manual (I578)".
Written value	Value	DWORD	#0	Refer to the right column	Specifies the value to write.
I/F Area ID	AreaID	WORD	#0082	Refer to the right column	The work area is shared by configuring the same Area specified for the FB <code>_INV003_Refresh</code> that controls the applicable serial port.
I/F Area No	AreaNo	INT	&0	Refer to the right column	

Output Variables

Name	Variable name	Data type	Range	Description
ENO	ENO	BOOL	ON/OFF	1 (ON): FB operating normally 0 (OFF): FB not operating normally
Completion	Done	BOOL	ON/OFF	When this variable is 1 (ON), FB processing has been completed.
Processing	Busy	BOOL	ON/OFF	When this variable is 1 (ON), the FB is in process.
Communication in execution	InValid	BOOL	ON/OFF	When this variable is 1 (ON), the FB accesses the message communications area in I/F Area and the command communication with the inverter is in execution.
Error	Error	BOOL	ON/OFF	When this variable is 1 (ON), an error has occurred in the FB. For details on the error, refer to Error code (ErrorID).
Error code	ErrorID	WORD	0x0000 to 0xFFFF	Returns the code for the error which occurred in the FB. For details on the error, refer to "Error/Abort Condition List".

■ Error/Abort Condition List

Name	Error code	Probable error cause	Corrective measure
Normal completion	#0000	-	-
Response error	#0001 to #7FFF	A response error of the communications command occurred.	Identify an error cause from the FINS Commands End Codes List in Communications Command Reference Manual (W342).
Modbus exception response	#8001 to #9FFF	An exception response was returned via Modbus communication.	Identify an error cause from the Exception Response in Multi-function Compact Inverter MX2 Series Type V1 User's Manual (I585) and High-function General-purpose Inverter 3G3RX Series Type V1 User's Manual (I578). The exception response and code are respectively output to upper double digits (xx) and lower double digits (yy) of an error code "#xxyy".
Out of the input variable	#A000	The input variable in this FB is out of range.	Set an input variable value within the specified range.
Communications stop	#A010	The specified node does not communicate.	Set the node in the scan list of FB <code>_INV003_Refresh</code> .
Communications error	#A011	A communications error occurred in the specified node.	Remove the error cause and then execute the command again.
Inverter error	#A100	An inverter error occurred.	Refer to Multi-function Compact Inverter MX2 Series Type V1 User's Manual (I585) and High-function

			General-purpose Inverter 3G3RX Series Type V1 User's Manual (I578) to identify an error cause.
External operation (Response area)	#A210	"Response area" in I/F Area was operated from outside the FB.	Do not operate I/F Area outside the FB. Moreover, do not use I/F Area with OUT instructions.

■ **Revision History**

Version	Date	Contents
1.00	2013.4.1	Original production

■ **Note**

This document explains the function of the function block.

It does not provide information of restrictions on the use of Units and Components or combination of them. For actual applications, make sure to read the operation manuals of the applicable products.