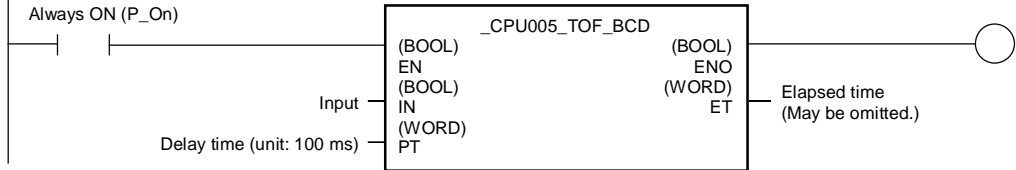
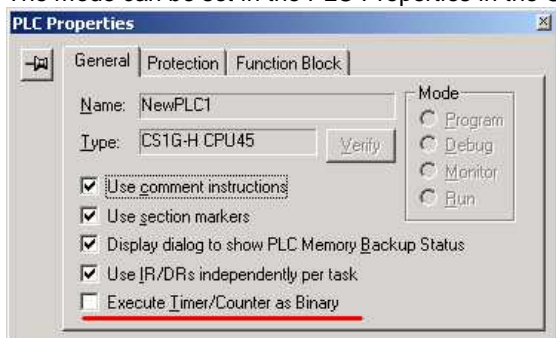
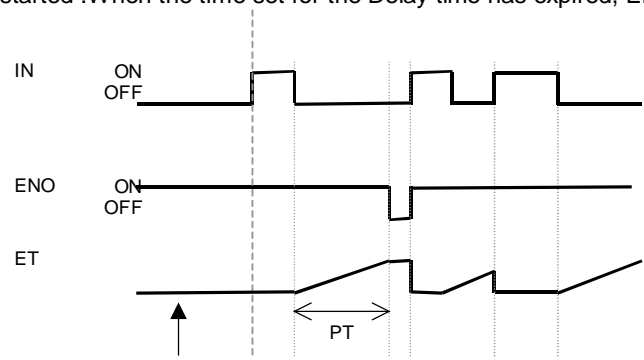
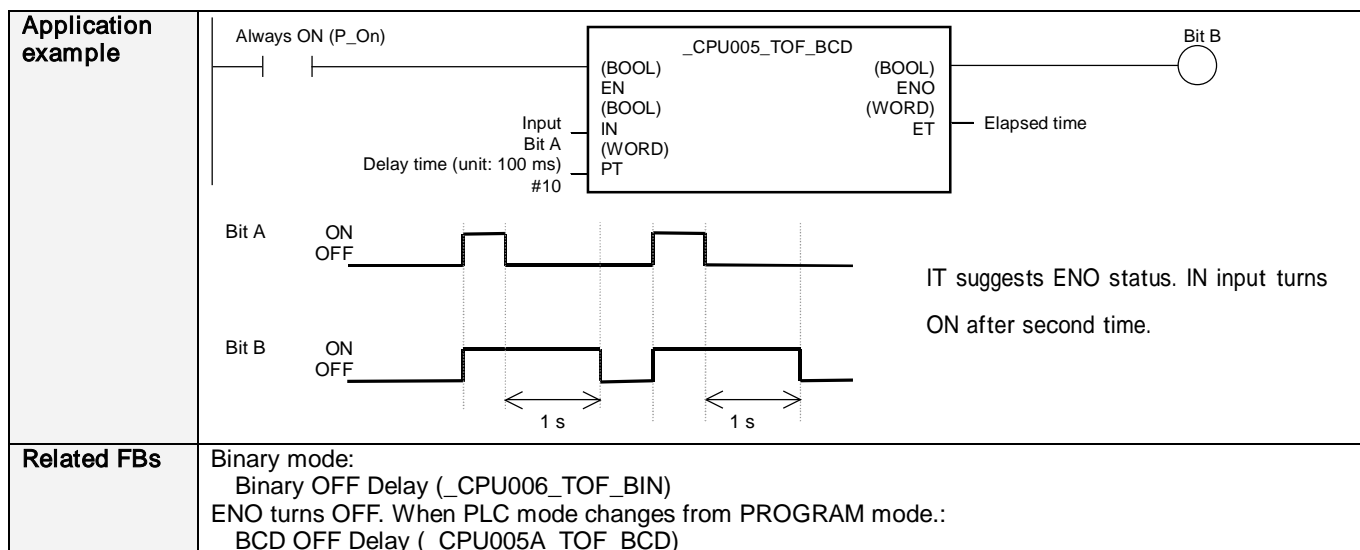


<b>CPU -005</b>	<b>BCD OFF Delay: _CPU005_TOF_BCD</b>	
<b>Basic function</b>	Turns OFF the output a specified time after the input turns OFF.	
<b>Symbol</b>		
<b>File name</b>	Lib\FLB\omronlib\PLC\CPU\_CPU005_TOF_BCD10.cxf	
<b>Applicable models</b>	CPU Unit	CS1*-CPU**H Unit version 3.0 or higher CJ1*-CPU**H Unit version 3.0 or higher CJ1M-CPU** Unit version 3.0 or higher CP1H CP1L
	CX-Programmer	Version 5.0 or higher
<b>Conditions for usage</b>	PLC Properties <ul style="list-style-type: none"> <li>The PV update method for timers and counters must be set to BCD in the PLC Setup. A compiling error will occur if BCD mode is not set. The mode can be set in the PLC Properties in the CX-Programmer.</li> </ul>  Shared Resources <ul style="list-style-type: none"> <li>Timers</li> </ul>	
<b>Function description</b>	When PLC mode changes from Program mode. ENO turns ON by not depend on IN status. First time, the IN input turns ON and OFF. The delay timer is started . When the time set for the Delay time has expired, ENO is turns OFF. After second time, IN input turns ON. So ENO turns ON. And IN input turns OFF. The delay timer is started .When the time set for the Delay time has expired, ENO is turned OFF.  	
<b>EN input condition</b>	Connect the EN input to the Always ON Flag (P_On).	
<b>Restrictions Input variables</b>	<ul style="list-style-type: none"> <li>If the input variables are out of range, the ENO Flag will turn OFF and the FB will not be processed.</li> <li>The Delay time input variable must be BCD between #0000 and #9999. If a setting is not within range, ENO is turned OFF.</li> </ul>	



■ Variable Tables

Input Variables

Name	Variable name	Data type	Default	Range	Description
EN	EN	BOOL			1 (ON): FB started. 0 (OFF): FB not started.
Input	IN	BOOL			Turn ON to start timing.
Delay time	PT	WORD		#0000 to #9999	Specify the delay time (unit: 100 ms). For example, #30 means 3 seconds.

Output Variables

Name	Variable name	Data type	Range	Description
ENO	ENO	BOOL		Turns ON when the Input turns ON and turns OFF a specified time after the Input turns OFF.
Elapsed time (May be omitted.)	ET	WORD		Outputs the time that Input was ON (unit: 100 ms).

■ Version History

Version	Date	Contents
1.00	2004.6.	Original production
1.01	2007.12	IT suggests ENO status. When PLC mode changes from PROGRAM mode.

Note

This manual is a reference that explains the function block functions.

It does not explain the operational limitations of Units, components, or combinations of Units and components. Always read and understand the Operation Manuals for the system's Units and other components before using them.