

Quick Start Guide

感谢您选用光洋GC-A2系列工业触摸屏，在您使用此产品之前，请先阅读本随机说明。如您在使用此产品时有任何的问题，请联系我们！
Thank you for purchasing our GC-A2 series Touch Panel. Please read this Quick Start Guide carefully before applying the product. If you need any help when you use the product, please consult us.

光洋电子(无锡)有限公司

KOYO ELECTRONICS (WUXI) CO., LTD.

Addr: 21st Floor, Buiding 1, No. 599, Jianzhuxi Road, Binhu District, Wuxi, Jiangsu, P.R.China

邮编(Pc): 214072

电话(Tel): (0510) 85167888

传真(Fax): (0510) 85161393

Homepage: http://www.koyoele.com.cn

KEW-M9513A

安全情报 (Safety Information)

- 请在电源断开的情况下连接电源线，否则有可能损坏触摸屏或导致人身伤害。
 - 请不要把触摸屏作为与人的安全或重大伤害有关的开关来使用。(如紧急安全开关等)
 - 保护接地端子务必请按第D种方法接地，否则有产生电击的可能。
 - 请在规定的范围(温度、湿度、振动、冲击等)内存放、使用触摸屏。
 - 请不要在有可燃性、爆炸性气体或蒸汽的场所使用触摸屏。
 - 请不要自己分解、改造触摸屏，否则有可能引起故障和其它的问题。
 - 不要用硬的东西或螺丝刀的尖头等锋利的东西去敲打触摸屏，以免造成触摸屏的损坏或人身的伤害。
- Please connect the power wires when the power is OFF. Otherwise the Touch Panel damage or personal injury may be caused.
- Do not use the Touch Panel to make switches that are related to safety of people or major damages (emergency safety switches, etc).
 - Be sure that class D grounding is used for the protective grounding terminal. There is a possibility of electrical shock if the Touch Panel is not grounded.
 - Use and store the Touch Panel in the environment described in the specifications (regarding temperature, humidity, vibrations, shock, etc).
 - Do not use the Touch Panel where it is subjected to flammable or explosive gases, or steam.
 - Do not disassemble or modify the Touch Panel. Doing so can cause malfunctions and lead to other problems.
 - Do not press on the Touch Panel with screwdrivers or other sharp objects and do not strike it with hard objects. Doing so can damage the Touch Panel or cause malfunctions.

技术支持 (Technical Support)

如您在使用此产品时有任何的问题，请联系我们！联系电话：0510-85167888-2075

If you have any question when you use the product, please consult us.
The technical support telephone number is 0510-85167888-2075.

规格认证 (Agency Approval)

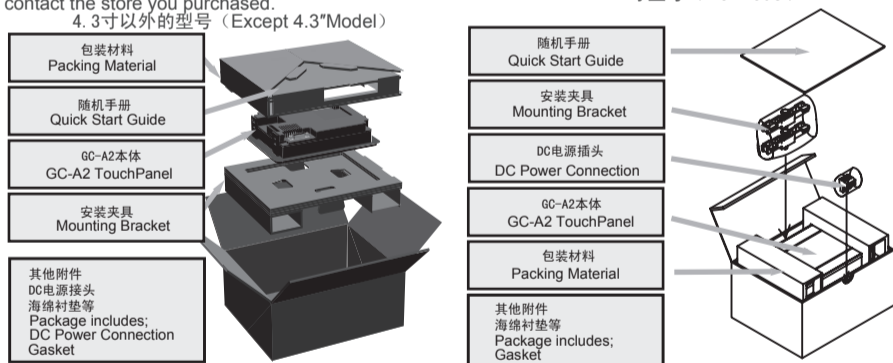
本触摸屏已取得UL、cUL、CE、RoHS认证，请参考产品上的标签。

The Touch Panel conforms to UL, cUL, CE, and RoHS. Please refer to the product label.

1 开箱确认 (Unpack and Inspect)

请确认包装纸箱中有下图所示的物品。
如果有任何的缺少或损坏，请与您的供货商联系。

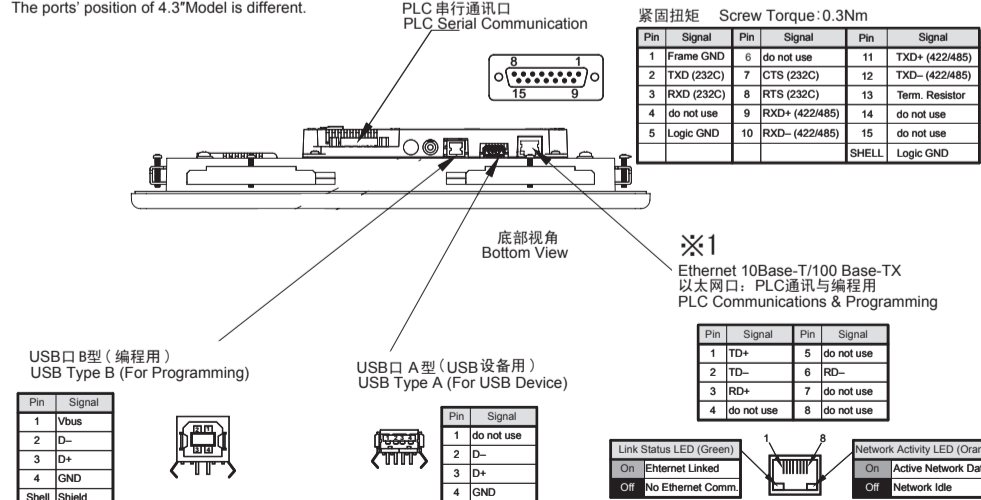
Please make sure that all insertions shown in the picture are included in the carton. If any item is missing or damaged, please contact the store you purchased.



点击或双击下载的安装文件，根据提示信息安装GC-A2系列下图软件。

2 通讯口确认 (Communication Ports)

注：图例为10.2"及7.0"屏的外观，与4.3"屏有所不同。
The ports' position of 4.3" Model is different.



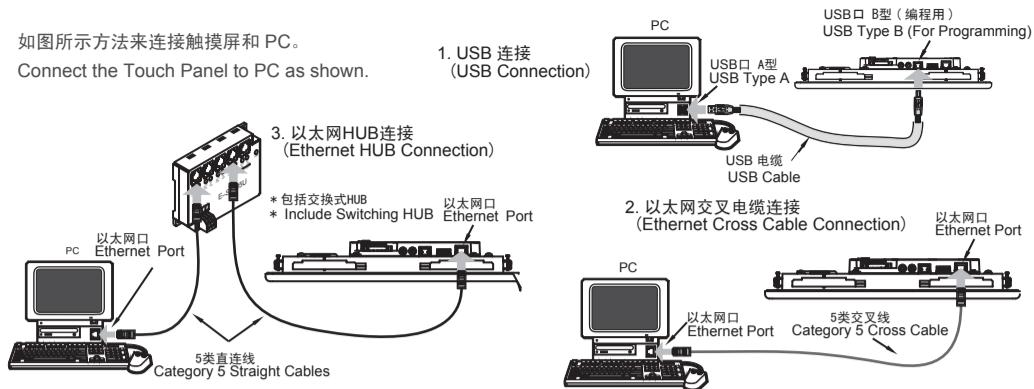
※1: GC-A24W-RC/RCW, GC-A26W-RC/RCW 上没有该接口。

※1: Device is not available on GC-A24W-RC/RCW and GC-A26W-RC/RCW.

3 PC与GC-A2的连接 (Connect Touch Panel to PC)

如图所示方法来连接触摸屏和PC。

Connect the Touch Panel to PC as shown.

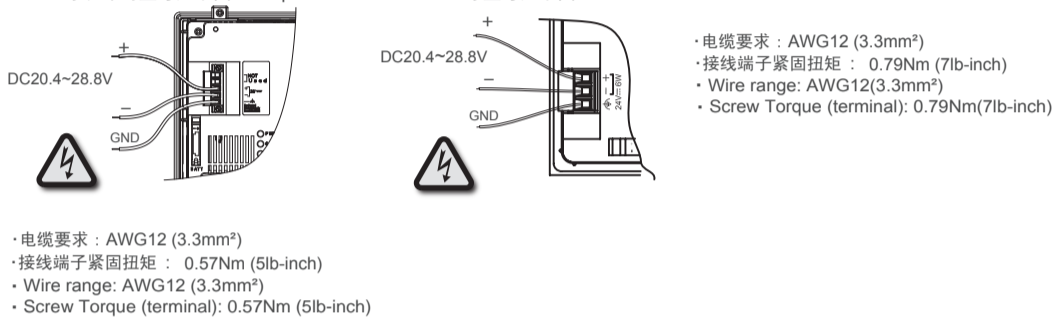


4 触摸屏上电 (Provide Power to the Touch Panel)

本触摸屏为DC24V供电。按下图所示连接DC24V电源。

Use DC24V for power source.
Connect a DC24V power supply as shown in below figure.

4.3寸以外的型号如下图 (Except 4.3" Model) 4.3寸型号如下图 (4.3" Model)

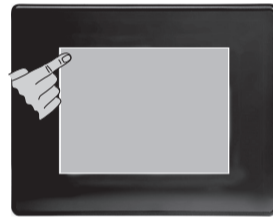


GC-A2状态指示LED (GC-A2 Status LED)

CPU Status LED (Green, Orange & Red)		Power LED (Green)		Serial Tx/D/RxD (Green)	
Off	Power off	On	Power On	On	Comm. is active
Green	Normal-CPU Run State	Off	Power Off	Off	No communication
Red	System not found				
Orange	Low Power				

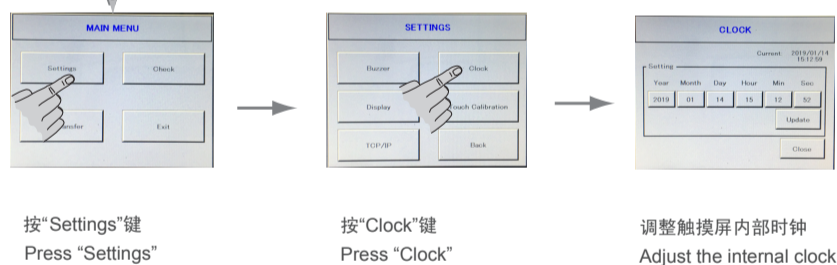
(背面)
(Rear View)

5 如何设定时间 (The time set of a clock)



按住触摸屏左上角3秒，进入系统设置画面的主菜单画面。

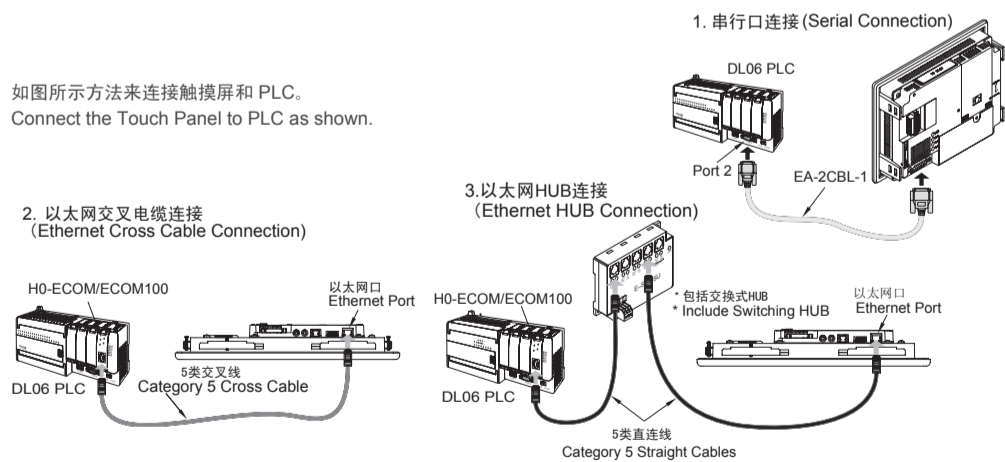
To access the MAIN MENU of the Touch panel setup screens, press the upper left corner of the panel display area for 3 seconds as shown to the left.



6 PLC与GC-A2的连接 (Connect Touch Panel to PLC)

如图所示方法来连接触摸屏和PLC。

Connect the Touch Panel to PLC as shown.



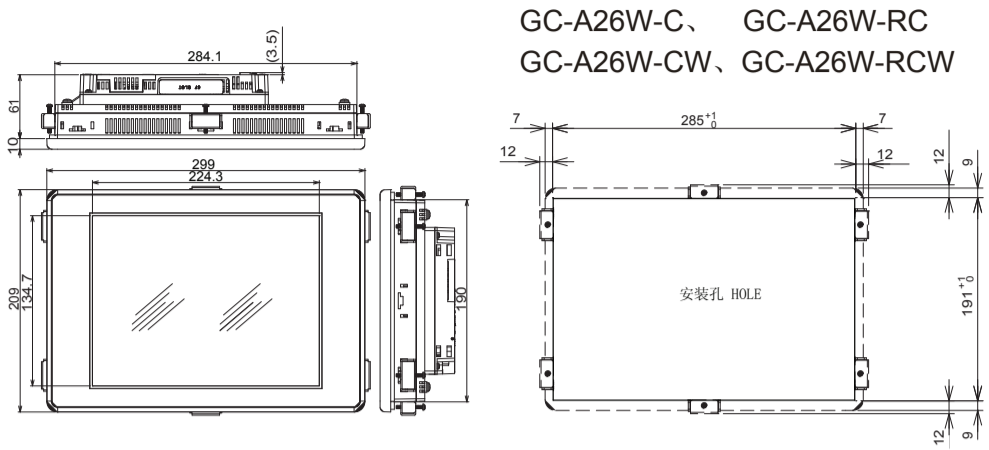
7 作图软件的安装、使用和传送 (Install the Software, Develop and Transfer)

点击或双击下载的安装文件。根据提示信息安装GC-A2系列下图软件。
您就可以开始制作您的用户画面了。

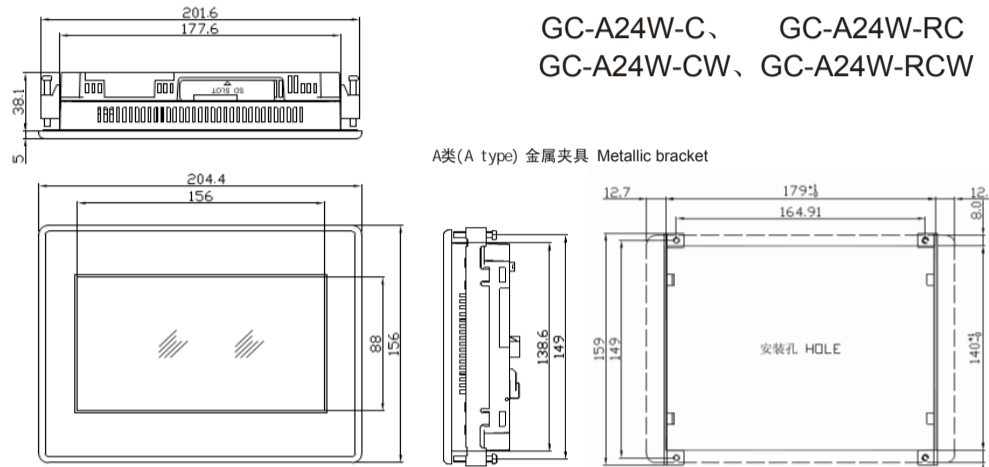
Clicking or double-clicking the Installer downloaded.

Install GC-A2 programming software in accordance with the message of an installer.
Then start up GC-A2 programming software.

8 外形尺寸图与开孔尺寸 (Dimensions · Cutout Size)



GC-A26W-C、GC-A26W-RC
GC-A26W-CW、GC-A26W-RCW



GC-A24W-C、GC-A24W-RC
GC-A24W-CW、GC-A24W-RCW

A类(A type) 金属夹具 Metallic bracket

B类(B type) 塑料夹具 Plastic bracket

9 产品安装注意事项 (Attention at mounting)

- 当把触摸屏安装在控制柜上时，请务必妥善固定在平整的面板上。若安装在变形弯曲的面板上，则触摸屏会有破损可能。另外，请把触摸屏安装在控制柜方形开孔的中心，否则触摸屏表面可能会产生翘曲。
- 允许的控制柜面板厚度请参照下表。可视控制柜板厚实际情况调整安装夹具安装孔位置。
- 安装夹具推荐安装扭矩请参照下表。安装时请务必以均衡力量固定全部螺丝。如果安装扭矩过大，则可能会造成触摸屏本体/控制柜面板/安装夹具的变形。
- 触摸屏上部或侧部之空穴为内部排气之专用通道，请勿阻塞。异常发热有可能造成故障。
- 触摸屏和控制柜边缘或柜中其他制品之间须留出适当空间。

- When you mount the Touch Panel on the control cabinet, please mount it on the flat surface and fix it correctly. If you mount the Touch Panel on uneven surface you may damage the Touch Panel. Please be advised to mount it on the center of square hole of the control cabinet. If the Touch Panel is mounted away from the center of square hole, then its surface sheet might bend.
- As for the enclosure thickness please refer to the table as below. Please select the hole position depending on your control cabinet's material thickness.
- As for the recommended tightening torque of mounting bracket, please refer to the table as below. Make sure all screws of the mounting bracket are screwed and tightened evenly. If tightening torque is too strong then the Touch Panel, control cabinet or mounting bracket might bend.
- The holes on the top or side of the Touch Panel are necessary for ventilation. Therefore never block the holes. The abnormal heat may cause defects on the Touch Panel.
- Please make adequate space between the Touch Panel and the edge of the control cabinet or other products.

安装紧固扭矩 (Enclosure Thickness and Screw Torque)

型号 Part Number	板厚 Enclosure Thickness (mm)	紧固扭矩 Screw Torque (Nm)
GC-A26W-C/CW、 GC-A26W-RC/RCW	1~5	0.25~0.35
GC-A24W-C/CW、 GC-A24W-RC/RCW	A类 (A type) 1~16 ※2 B类 (B type) 1~5 ※3	0.25~0.35 0.25~0.35
GC-A22W-C/CW	1~12	0.25~0.35

※3 B类夹具安装孔
B type bracket installation position

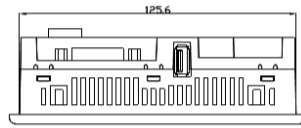


※2 A类夹具上侧安装孔 A type bracket upper position
(适用板厚 Suitable enclosure thickness: 1~6mm)
A类夹具下侧安装孔 A type bracket lower position
(适用板厚 Suitable enclosure thickness: 5~16mm)

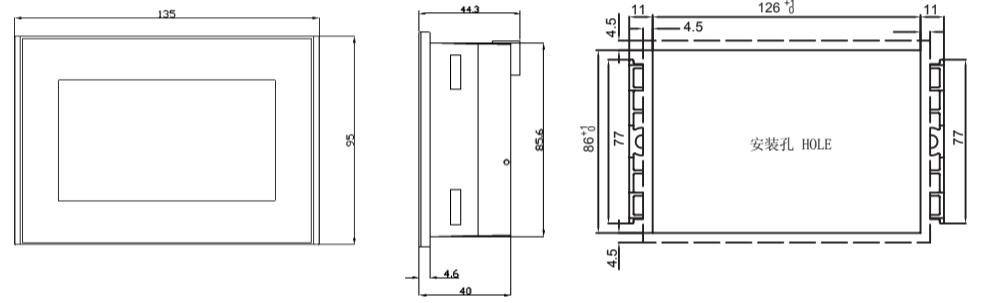
※1 7寸屏有两类安装夹具，A类为金属夹具，B类为塑料夹具。(随机仅配一类夹具。)
※1 For 7.0" product, there are two types of mounting bracket, A type is metallic, B type is plastic. (Only one type in the package.)

警告 Warning

本产品保留电池仓，但是不安装和使用锂电池。
This product retains battery case, but do not install or use related batteries.



GC-A22W-C
GC-A22W-CW



10 规格 (Specifications)

项目 (Item)/型号 (Part Number)	GC-A26W-C GC-A26W-CW	GC-A26W-RC GC-A26W-RCW	GC-A24W-C GC-A24W-CW	GC-A24W-RC GC-A24W-RCW	GC-A22W-C GC-A22W-CW	
显示尺寸 Display actual size	10.2"		7.0"		4.3"	
显示类型 Display type	TFT color LCD					
显示色数 Color scale	65,536 colors					
显示像素 Screen pixel	800 × 480 (WVGA)		800 × 480 (WVGA)		480 × 272 (WQVGA)	
实际显示区域尺寸 (mm) Display viewing area (mm)	222.0 W × 132.48 H		154.08 W × 85.92 H		95.04 W × 53.86 H	
亮度调节 Brightness adjustment	触摸屏本体系统设置画面调节 (可利用作图软件放置调节部品) User configurable by the configuration screen of the Touch panel (Configuration object can be placed by the software)					
背光规格 Backlight	LED发光管 (平均寿命: 连续点灯20,000小时以上, 亮度衰减到原始亮度的一半。) ※1 LED backlight (Average lifetime: over 20,000 hours continuous use, the brightness decrease to 50% original brightness.) ※1					
是否允许用户自行更换 屏保功能 Auto-off function	不可 No 通过作图软件设定 User configurable by the software					
触摸屏规格 Touch panel	电阻膜方式、分辨率: 1024 W × 1024 H Analog Resistive, Resolution: 1024 W × 1024 H					
外部接口 External interface	PLC连接用通讯口 PLC interface	串口 Serial	标准串口: RS-232C, RS-422/485 (2/4线式) D-SUB-15P (双排孔型) × 1 ※2 Asynchronous RS-232C, RS-422/485 (2/4 wires) D-SUB-15P (female) × 1 ※2 数据格式: 7/8bit 校验: None/Odd/Even 停止位: 1/2bit Data length: 7/8 bit Parity: None/Odd/Even Stop bit: 1/2 bit 传送速度 (bps): 2400/4800/9600/19200/38400/57600/115200/187500 Transmission speed (bps): 2400/4800/9600/19200/38400/57600/115200/187500			
		Ethernet ※3	有 YES	无 N/A	有 YES	无 N/A
	画面上传/下载用端口 Screen data transfer	USB口 USB	USB (Type-B) 2.0 × 1			有 YES
		Ethernet ※3	有 YES	无 N/A	有 YES	无 N/A
	以太网口 Ethernet ※3	有 YES			无 N/A	有 YES
	SD卡接口 SD Card-Slot	3.3V 限定 3.3V Only			无 N/A	有 YES
蜂鸣器输出 Buzzer Output	有 YES					
USB口 USB	USB (Type-A) 2.0 × 1 ※4					
一般规格 General Specifications	额定电源电压 Rated power voltage	DC24V Class 2				
	电源电压容许变动范围 Operating power voltage	DC20.4~28.8V				
	容许瞬间断电时间 Allowable momentary power failure period	5ms以内 Less than 5ms				
	消费功率 Power Consumption	9W以内 Less than 9W		6W以内 Less than 6W		6W以内 Less than 6W
	使用环境温度 Operating temperature	0~50°C				
	保存环境温度 Storage temperature	-20~60°C				
	使用环境湿度 Operating humidity	10~85%RH (无凝露、non-condensing)				
	保存环境湿度 Storage humidity	10~85%RH (无凝露、non-condensing)				
	使用海拔高度 Operating altitude	低于2000米 (6562英尺) Less than 2000 m (6562 ft)				
	抗干扰 Noise immunity	干扰电压 AC1000Vp-p 波峰幅宽1μs 持续时间1ns Noise voltage: 1000VACp-p, Pulse width: 1μs, Rise time: 1ns (with noise simulator)				
	耐电压 Withstand voltage	AC1000V 1分钟 (DC电源端子~FG端子间) 1000VAC for 1minute (between DC and FG)				
	绝缘电阻 Insulation resistance	DC500V 10MΩ以上 (DC电源端子~FG端子间) 500VDC, over 10MΩ (between DC and FG)				
	耐振动 Vibration	IEC61131-2 标准 10~57Hz: 0.075mm 57~150Hz: 9.8m/s ² (X、Y、Z方向各10次) IEC61131-2 compliant, 10~57Hz: 0.075mm amplitude, 57~150 Hz 9.8m/s ² : 10 sweep cycles per axis on each of 3 mutually perpendicular axes				
	耐冲击 Shock	最大147m/s ² 11ms (X、Y、Z方向各2次) 147m/s ² peak, 11ms duration, 2 shocks per axis, on 3 mutually perpendicular axes				
	耐静电放电 ESD immunity	IEC61000-4-2 标准 接触: 4kV 空气: 8kV IEC61000-4-2 compliant contact: 4kV air: 8kV				
	腐蚀性气体 Surrounding air	无腐蚀性气体, 使用在污染等级2环境 Non-corrosive gas, for use in Pollution Degree 2 environment				
	接地 Grounding	D类接地 Class D				
防护等级 IP rating	-					
外形尺寸 (mm) Dimensions (mm)	299.0 W × 209.0 H × 71.0 D	204.4 W × 156.0 H × 43.1 D		135.0 W × 95.0 H × 40.0 D		
质量 (g) Weight (g)	About 1480	About 610		About 280		
安装开孔尺寸 (mm) Panel cut size (mm)	285.0 W × 191.0 H	179.0 W × 140.0 H		126.0 W × 86.0 H		
冷却方式 Cooling method	自然空冷 Natural air cooling					
断电保持 Maintenance of outage	保持方法 Retention method	超级电容 (无电池) Super capacity (no battery)				
	保持时间 Retention period	约1个月 (25°C) About 1 month (25°C)				
					约15天 (25°C) About 15 days (25°C)	

※1 25°C, 24H 连续点灯时. ※2 RS-232C/422/485 同时只能使用其中1个. ※3 10Base-T/100 Base-TX (RJ-45) 自适应. ※4 仅可连接部分USB移动磁盘、商用键盘、条码读入机。
※1 25°C, 24-hour continuous use. ※2 RS-232C, 422 or 485 only one of them can be used in sametime. ※3 10Base-T/100 Base-TX (RJ-45). ※4 Only some commercial memory cards, keyboard and bar-cord reader are connectable.